



螺旋切割排污泵
Spiral cutting sewage pump



Function and characteristic

ESQW spiral cutting part has spiral structure and sharp knife edge design. On the premise of ensuring high efficiency of water conservancy performance, it can quickly cut straw, cotton, cloth and diapers and discharge them.

- 1.The pump casing is ordinary HT200 cast iron;
- 2.The pump body part is made of ordinary HT250 cast iron;
3. The cutting part is made of alloy material with Rockwell hardness above 48HR;
- 4.General rubber-plastic general oil-resistant cable;
5. Domestic brand bearings or optional imported brand bearings;
6. Domestic brand graphite-silicon carbide mechanical seal or optional joint venture brand mechanical seal.



General considerations

- 1.Check whether the cable is damaged before use;
- 2.Check whether the electric pump is damaged during transportation, resulting in electric leakage, breakage, jamming et;
3. Connect the power supply to the control cabinet of the protection device;
- 4.It is absolutely forbidden for people and pumps to be in the same reservoir;
- 5.If you have any questions during use, please contact our.

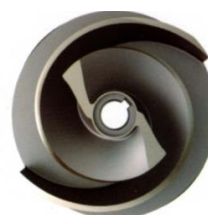
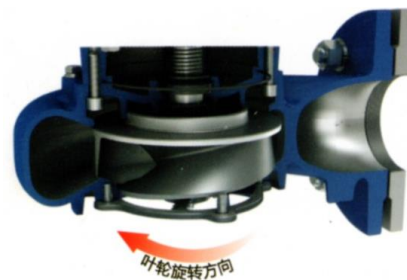
Special precautions

- 1.Install and use 25 cm away from the bottom of the pool;
- 2.Avoid inhaling hard substances such as stones, screws and nails. The service life can be prolonged;
- 3.After replacing the cutting device, special attention should be paid to the clearance between impeller and cutting disk, which should be controlled between 0.1-0.25 mm;
- 4.The use environment must be a flowing liquid mainly composed of water;
- 5.If the fluidity liquid is too little and the slag liquid is too much, it must be started after adding water.

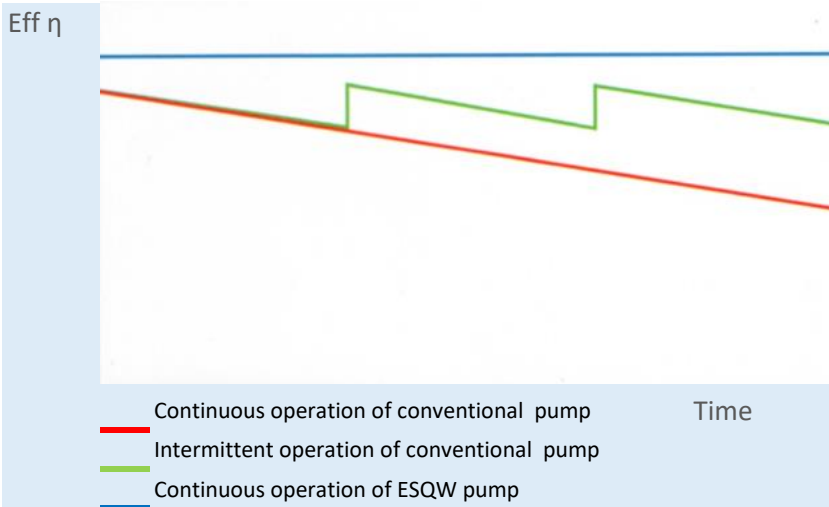
Operation mode

The unique cast angle of impeller effectively prevents material winding; When the impeller rotates, the rags are pressed into the spiral release groove, separated from the impeller and entered the vortex housing, and then pumped out

The impeller is the core of ESQW pump, which is made of stainless steel alloy



Comparison of efficiency with conventional products



- The red line indicates a decrease in efficiency caused by blockage during continuous operation of conventional sewage pumps.
- The green line indicates a decrease in efficiency caused by blockage during intermittent operation of conventional sewage pumps, and pump backwashing can only bring temporary efficiency recovery.
- The blue line indicates the continuous and efficient operation of the ESQW pump.

cutting effect



Gloves



towel



diaper



plastic bag



woven bag



carpet

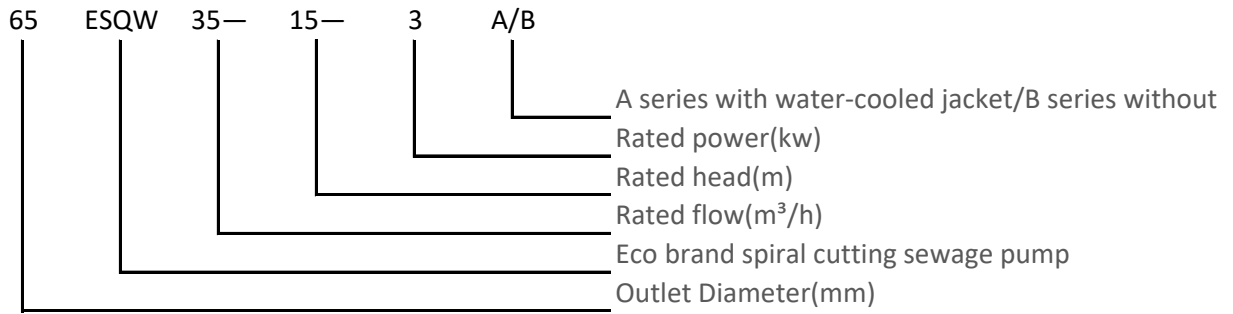


Hard substances such as stones and screws

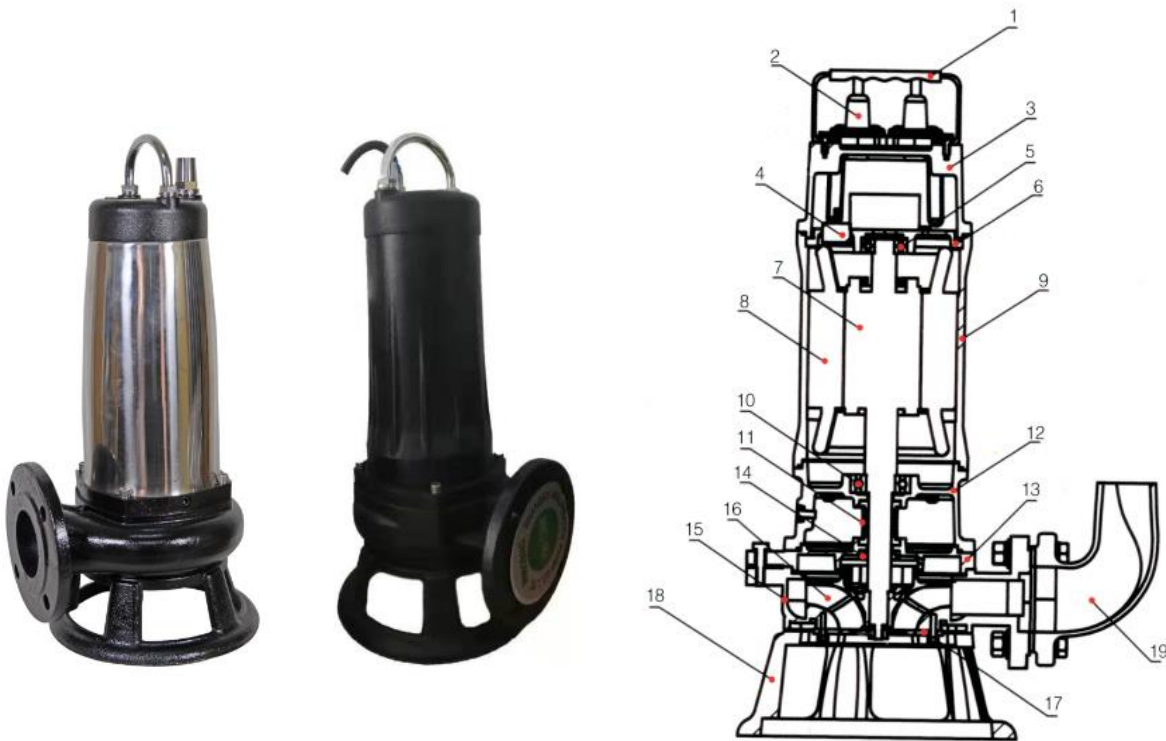




Model directions



Product construction diagram



A series

B series

ESQW(0.75Kw-15Kw)

1. Handle	2. Cable	3. Upper cap	4. Overcurrent protector	5. Upper bearing
6. Rear cover	7. Rotor assembly	8. Stator assembly	9. Barrel	10. lower bearing
11. Mechanical seal	12. Oil cylinder	13. Oil cylinder cover	14. Framework oil seal	15. Pump body
16. Impeller	17. Knife disc	18. Base	19. Water outlet elbow	



Performance parameter table

Model	Outlet Diameter(mm)	Flow(m ³ /h)	Head(m)	power(kw)
50ESQW10-10-0.75	50	10	10	0.75
50ESQW12-10-1.1	50	12	10	1.1
50ESQW12-15-1.5	50	12	15	1.5
65ESQW20-10-1.5	65	20	10	1.5
50ESQW10-20-2.2	50	10	20	2.2
65ESQW25-15-2.2	65	25	15	2.2
80ESQW35-10-2.2	80	35	10	2.2
50ESQW15-20-3	50	15	20	3
65ESQW35-13-3	65	35	13	3
80ESQW40-12-3	80	40	12	3
50ESQW15-23-4	50	15	23	4
65ESQW25-20-4	65	25	20	4
80ESQW45-15-4	80	45	15	4
100ESQW65-10-4	100	65	10	4
65ESQW30-25-5.5	65	30	25	5.5
80ESQW45-20-5.5	80	45	20	5.5
100ESQW65-15-5.5	100	65	15	5.5
80ESQW50-22-7.5	80	50	22	7.5
100ESQW100-15-7.5	100	100	15	7.5
150ESQW120-10-7.5	150	120	10	7.5
100ESQW80-25-11	100	80	25	11
150ESQW150-15-11	150	150	15	11
100ESQW80-30-15	100	80	30	15
150ESQW200-15-15	150	200	15	15

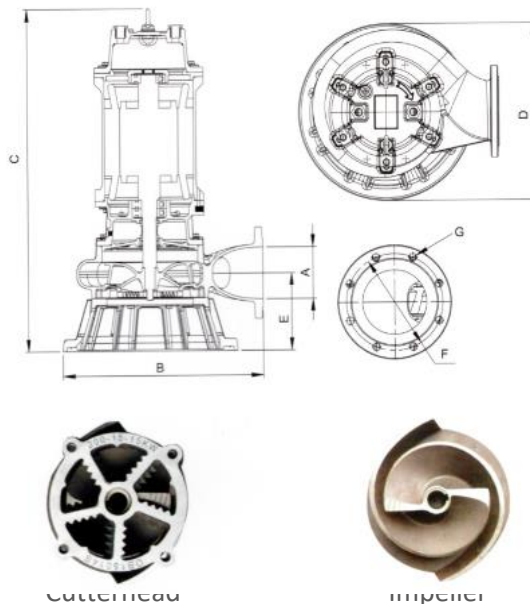
Notes: A series with water-cooled jacket/B series without water-cooled jacket.

Product usage

Applied to sewage treatment plants, pump stations, municipal drainage, river dredging, large industrial and mining enterprises, and construction wastewater improvement.



ESQW(11Kw-90Kw)

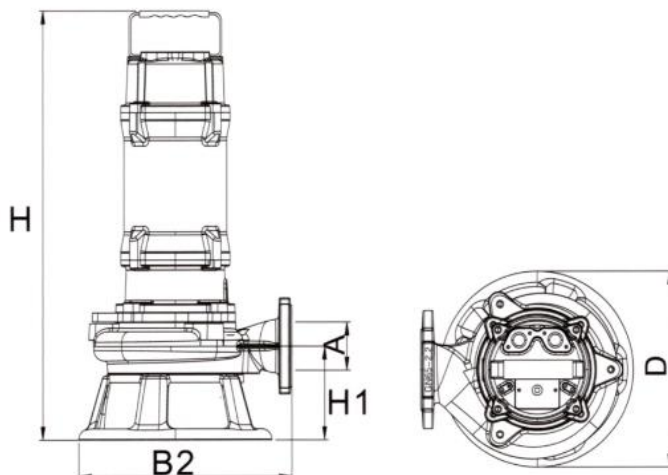


Installation dimensions

Model	A(mm)	B(mm)	C(mm)	D(mm)	E(mm)	F(mm)	G(mm)	GW(Kg)
100ESQW80-25-11	100	578	1038	475	240	170	18	219
150ESQW150-15-11	150	588	988	510	225	225	18	226
100ESQW80-28-15	100	578	1038	475	24G	170	18	233
150ESQW200-15-15	150	588	1018	510	225	225	18	241
150ESQW250-15-18.5	150	618	1080	510	235	225	18	325
200ESQW350-12-18.5	200	618	1135	520	265	295	22	334
150ESQW300-15-22	150	618	1080	510	235	225	18	350
200ESQW400-10-22	200	618	1135	520	265	295	22	359
200ESQW250-21-30	200	730	1240	620	305	295	22	505
250ESQW450-15-30	250	720	1520	670	380	350	23	514
300ESQW600-9-30	300	720	1520	670	380	400	23	519
200ESQW300-25-37	200	730	1240	620	305	295	22	538
250ESQW550-16-37	250	720	1520	670	380	350	23	547
300ESQW700-10-37	300	720	1520	670	380	400	23	551
200ESQW400-25-45	200	730	1285	620	305	295	22	554
250ESQW600-18-45	250	720	1520	670	380	350	23	564
300ESQW800-9-45	300	720	1520	670	380	400	23	560
200ESQW400-30-55	200	720	1396	735	385	295	22	772
250ESQW600-21-55	250	720	1520	670	380	350	23	781
300ESQW800-12-55	300	720	1520	670	380	400	23	786
200ESQW400-34-75	200	720	1461	735	385	295	22	812
250ESQW600-25-75	250	720	1520	670	380	350	23	822
300ESQW850-12-75	300	720	1520	870	380	400	23	827
200ESQW400-40-90	200	720	1520	870	385	295	22	1095
250ESQW600-33-90	250	720	1520	670	380	400	23	1106
300ESQW750-25-90	300	720	1520	670	380	400	23	1111



External dimensions



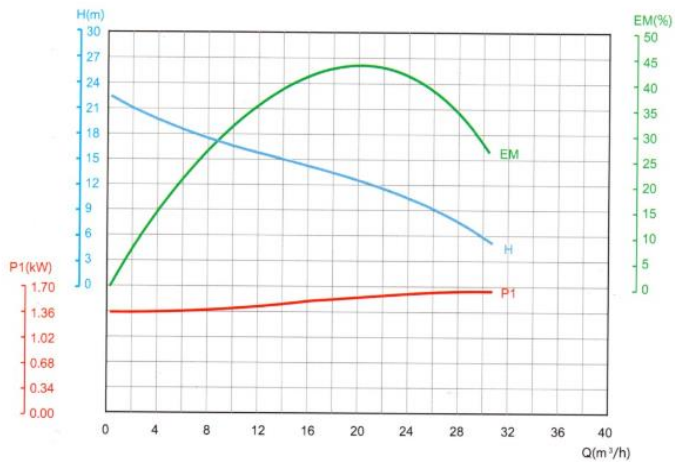
Installation dimensions

Model	A(mm)	B2(mm)	H(mm)	D(mm)	H1(mm)	N(Kg)
50ESQW10-10-0.75	50	205	350	175	74	22
50ESQW12-10-1.1	50	205	350	175	74	24
50ESQW12-15-1.5	50	250	530	240	117	36
65ESQW20-10-1.5	65	250	530	240	117	37
50ESQW10-20-2.2	50	295	535	265	127	41
65ESQW25-15-2.2	65	295	535	265	127	41
80ESQW35-10-2.2	80	295	535	265	127	41
50ESQW15-20-3	50	280	580	240	123	45
65ESQW35-13-3	65	280	580	240	123	45
80ESQW40-12-3	80	280	580	240	123	45
50ESQW15-23-4	50	315	600	265	127	55
65ESQW25-20-4	65	315	600	265	127	55
80ESQW45-15-4	80	315	600	265	127	58
100ESQW65-10-4	100	315	600	265	127	59
65ESQW30-25-5.5	65	325	710	268	131	62
80ESQW45-20-5.5	80	325	710	268	131	62
100ESQW65-15-5.5	100	325	710	268	131	68
80ESQW50-22-7.5	80	335	720	285	137	72
100ESQW100-15-7.5	100	335	720	285	137	72
150ESQW120-10-7.5	150	335	720	285	147	73
100ESQW80-25-11	100	395	980	385	200	105
150ESQW150-15-11	150	425	980	385	200	115
100ESQW80-30-15	100	395	980	385	200	120
150ESQW200-15-15	150	425	980	385	200	130

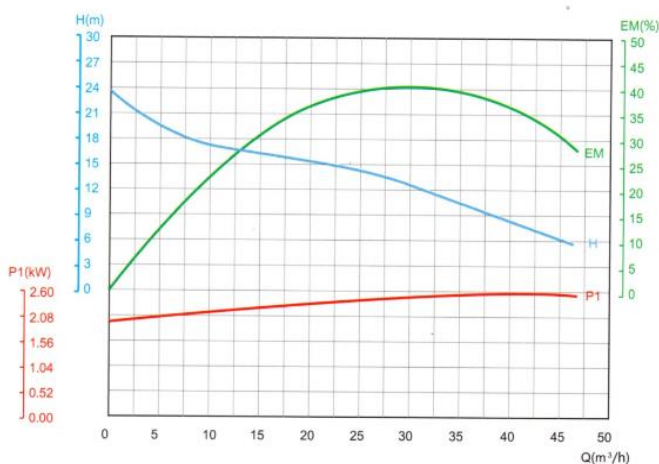


Performance Curve

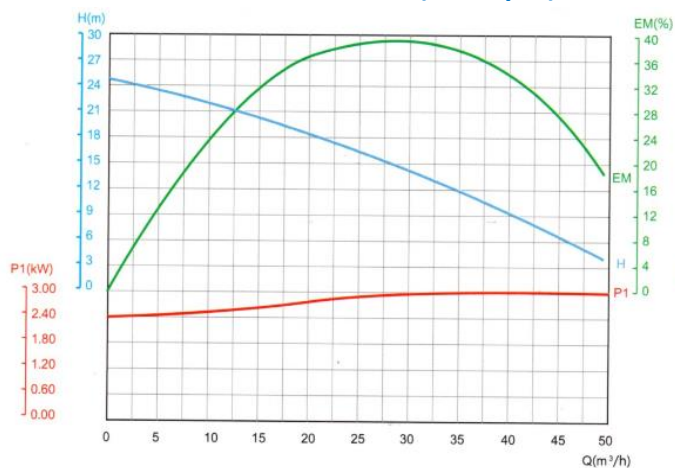
50ESQW12-15-1.5(2900rpm)



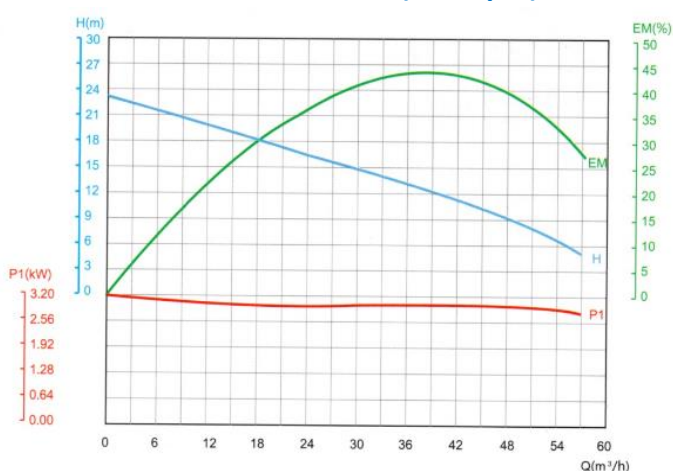
65ESQW25-15-2.2(2900rpm)



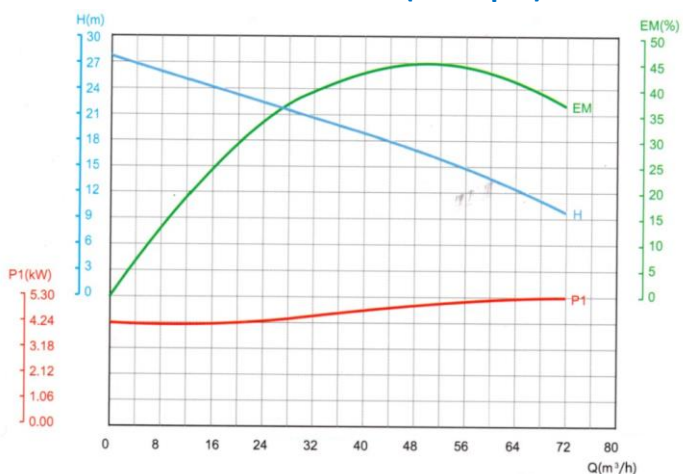
80ESQW35-10-2.2(2900rpm)



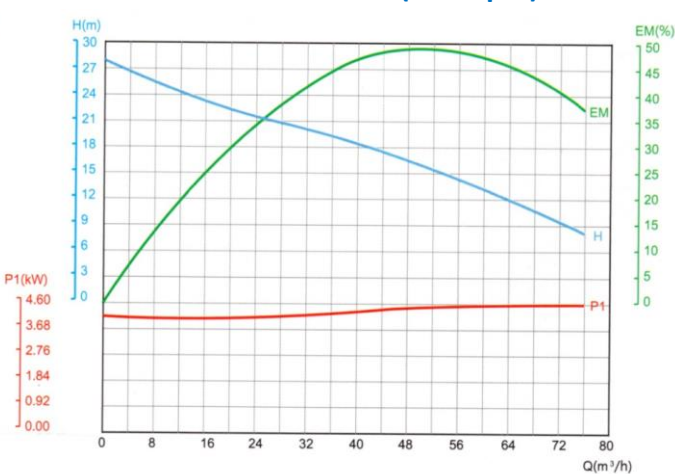
80ESQW40-12-3(2900rpm)



65ESQW25-20-4(2900rpm)



80ESQW45-15-4(2900rpm)



Address: Floor 1-936, Building 413, Jingzhou Garden, Tongzhou District, Beijing, China. Post Code: 101100. www.eco-bj.com.cn, Tel: 19910389187, Email: a.z@eco-bj.com.cn, eco_bj@163.com
Chengdu Office: Room 1301, No.562 Fujin Road, Chengdu City, Sichuan Province,China. Post Code: 610041, Tel: 13008183779, Email: info@eco-bj.com.cn
Chongqing Office: Room 28-6/7, Building 4, Wanda Plaza Commercial Building, Nan'an District, Chongqing, China. Post Code: 400060, Tel: 023-62642067, Email: cbw@eco-bj.com.cn

province China
Tel: 86+19910389187, 13506151618, 0510-87882250

Business License No.: 91110112MA01WW0H96

Tax Registration No.: 91110112MA01WW0H96

Foreign Trade Registration No.: 03166084

China Customs Registration Code: 11149616VP

Inspection & Quarantine Record No.: 1100113051

Foreign Exchange Management License No.: XK202011200000420

Senior Engineer Practice Certificate No.: ZJWXHB202001177

Grade II Registered Architect Certificate (Electrical and Mechanical) No.: 00201741

.....

**For human, health is very important
Clean water and purified air are the foundation of health**

