



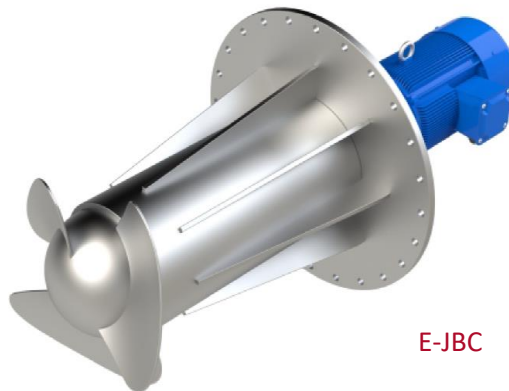
E-GDJ



E-JBJ



E-JBK



E-JBC

- E-GDJ Hyperboloid mixer
- E-JBJ Paddle Type Mixer
- E-JBK Frame Type Mixer
- E-JBC Outboard Type Mixer

概述 Summary

干式搅拌机广泛运用在环保、化工、能源、轻工等行业需要对固、液、气搅拌混合的场合，尤其适用在污水处理工艺中的混凝池、调节池、厌氧池、硝化和反硝化池。干式搅拌机特有的电机液面以上安装的方式特别适宜在高温、高浓度、有腐蚀的液体环境下工作。

Dry type mixers are widely applied in environmental protection, chemistry, energy and light industry where the solid, liquid and gas are interflowing, especially in the sewage treatment process of coagulative precipitation tank, equalization pond, anaerobic pond, nitrification pond, and denitrification pond.

The motor of the dry type is installed beyond the liquid level, that is especially suitable for the environment with high temperature, high concentration and corrosive liquid.

我们的干式搅拌机可以配置两种减速机：摆线针轮减速机，轴装式减速机。

Our dry mixer can be equipped with two kinds of reducers:

Cycloidal pin wheel reducer,

Shaft-mounted reducer.



配摆线针轮减速机
With Cycloidal pin wheel reducer



配轴装式减速机
With Shaft-mounted reducer

适用条件 Conditions of usage

介质密度:<1150kg/m³

The density of the media shall not exceed 1150kg/m³

潜水深度:<10m

The depth of submersion shall not exceed 10m.

电源:380V, 50Hz

The electric power supply: 380V50Hz

电机:F/H级绝缘并符合IP55, 24小时连续运行

The motor: F/H class insulation and in accordance with IP55, continuous operating in 24hr.



E-GDJ Hyperboloid mixer

Features

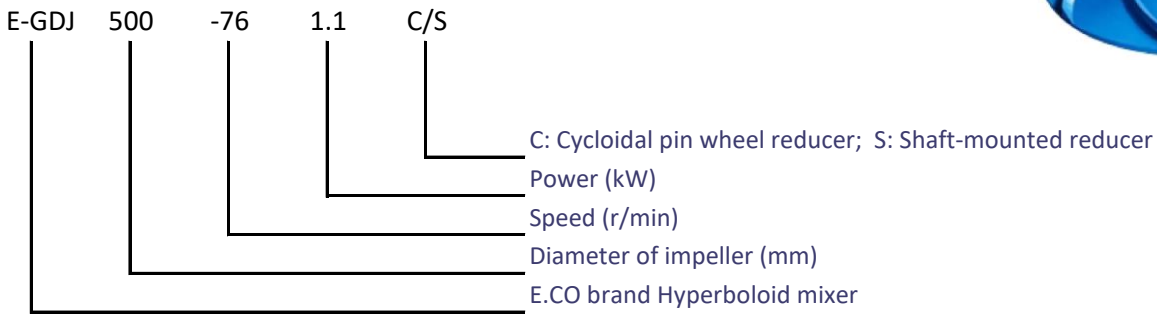
In comparison with traditional blade paddle mixer, E-GDJ Hyperboloid mixer has the feature of mixing equality, high efficiency, low energy consumption and no 'dead zones'.

Simple structure and easy for installation and maintenance.

Used especially for the water treatment such as mixing of waste water and chemical agents.

Big surface area impeller, equipped with small power, saving energy.

Model directions

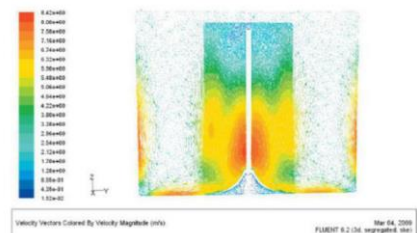
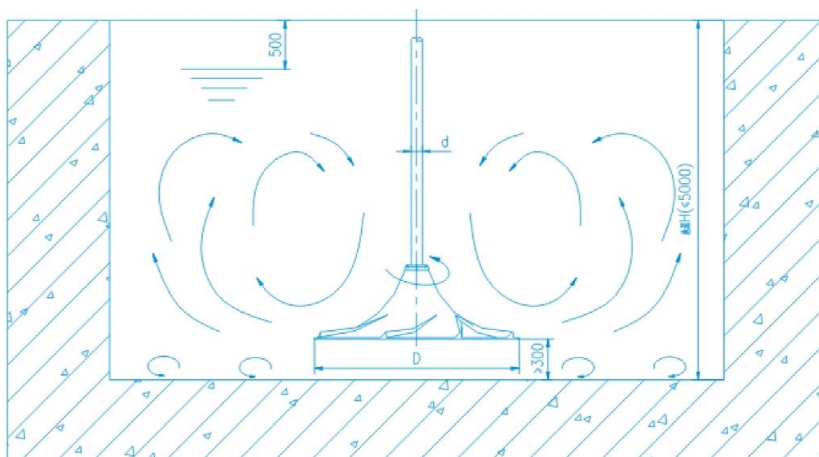


Technical parameter

Model	Impeller diameter mm	Speed (r/min)		Power (kW)		Service area m	Weight (kg)
		Standard	Range	Standard	Range		Shaft-mounted reducer GRP material Impeller
EGDJ-500	500	76	40-250	1.1	0.75-1.5	1~3	320
EGDJ-1000	1000	55	30-80	1.5	1.1-2.2	2~5	480
EGDJ-1500	1500	38	30-60	2.2	1.5-3	3~6	510
EGDJ-2000	2000	33	20-42	3	2.2-3	6~14	560
EGDJ-2500	2500	27	20-40	5.5	3-5.5	10~18	640
EGDJ-3000	3000	24	20-30	7.5	4-7.5	12~22	900

The standard figure is suit for the common municipal wastewater with 0.8~0.9% dry sludge concentration.

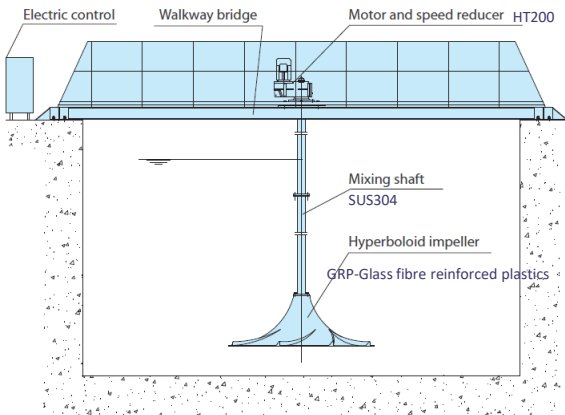
Fluid figure



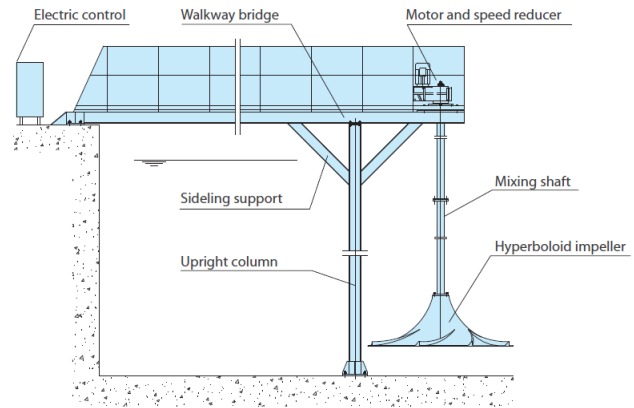
E-GDJ Hyperboloid mixer

Construction/Installation mode

With Shaft-mounted reducer



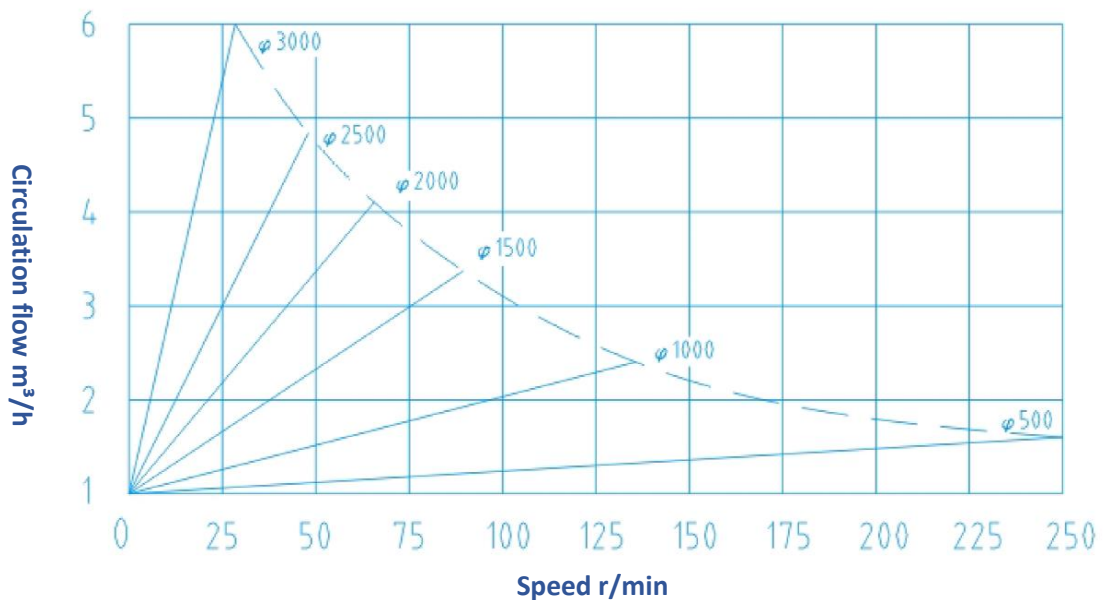
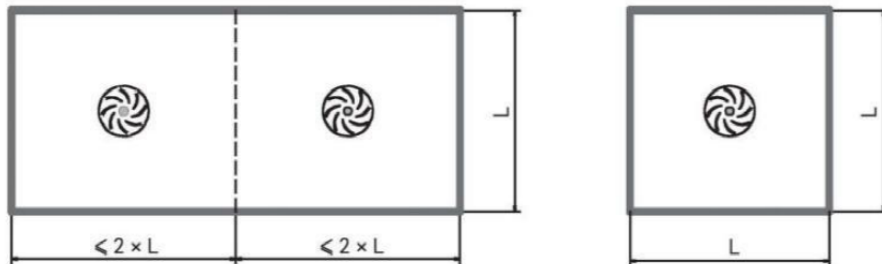
Whole bridge



Half bridge

Type selection reference

The type selection of hyperboloid mixer is related to the pond, medium parameters and installation mode. The type selection of hyperboloid mixer is basically confirmed according to the effective service area of each hyperboloid mixer, and according to the principle that the ratio of length to width not over 2 to 1, the rectangle pond will be equally divided into working cells, so as to confirm the mixers' quantity.





E-JBJ Paddle Type Mixer

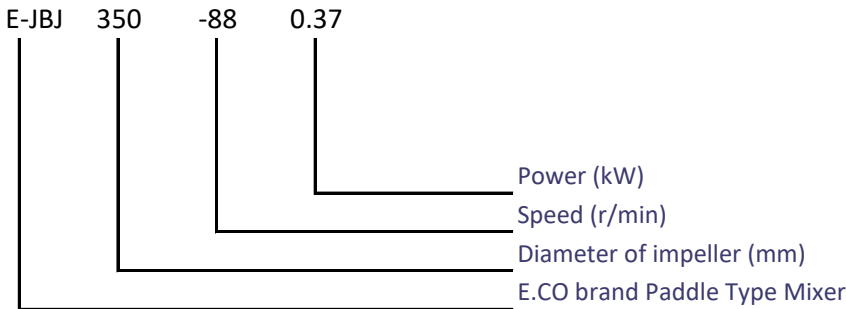
Features

The paddle type mixer is used in the sludge pond, the flocculation pond and the industry flow where needs to dissolve and mix.

The E-JBJ paddle type mixer is composed by the power section, the foundation, the drive shaft and the blade and so on.



Model directions

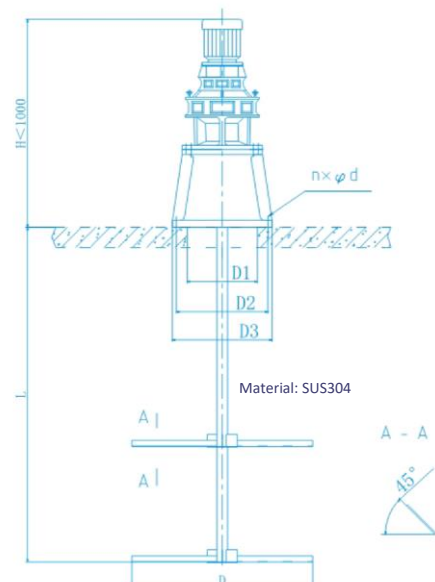


Technical parameter

Model	Impeller diameter mm	Speed (r/min)		Power (kW)		Service area m	Depth of water m
		Standard	Range	Standard	Range		
E-JBJ-350	350	88	50-400	0.37	0.37-1.5	0.4~0.6	0.5
E-JBJ-450	450	52	50-400	0.37	0.37-1.5	0.5~0.9	0.6
E-JBJ-600	600	35	50-400	0.37	0.37-1.5	0.8~1.2	0.8
E-JBJ-400	400	88	50-400	0.37	0.37-1.5	0.66~1	0.7
E-JBJ-600	600	52	35-105	0.55	0.55-1.5	1.2~1.8	1.2
E-JBJ-800	800	35	35-105	0.55	0.55-3	1.6~2.5	2
E-JBJ-550	550	88	35-105	0.75	0.75-4	1.2~1.8	1.5
E-JBJ-700	700	52	35-105	1.1	1.1-4	1.6~2.5	2
E-JBJ-900	900	35	35-105	1.1	1.1-4	2~3	2

Construction/Installation mode

Model	L mm	D mm	D1 mm	D2 mm	D3 mm	n*d mm
E-JBJ-350	1500	350	100	175	210	4 * Ø19
E-JBJ-450	1500	450	100	175	210	4 * Ø19
E-JBJ-600	1500	600	100	175	210	4 * Ø19
E-JBJ-400	1500	400	100	175	210	4 * Ø19
E-JBJ-600	1500	600	100	175	210	4 * Ø19
E-JBJ-800	1500	800	100	175	210	4 * Ø19
E-JBJ-550	1500	550	100	175	210	4 * Ø19
E-JBJ-700	1500	700	100	175	210	4 * Ø19
E-JBJ-900	1500	900	100	175	210	4 * Ø19





E-JBK Frame Type Mixer

Features

The frame type mixer is used for agitating the solution of the dosage in water plant, sewage treatment plant and so on.

The E-JBK frame type mixer is composed by the power section, the foundation, the drive shaft and the blade and so on.



Model directions

E-JBK I- 1700 -8 0.75

Power (kW)

Speed (r/min)

Diameter of impeller (mm)

I-single-layer,full-depth paddle; II-Double-layer,full-depth paddle;

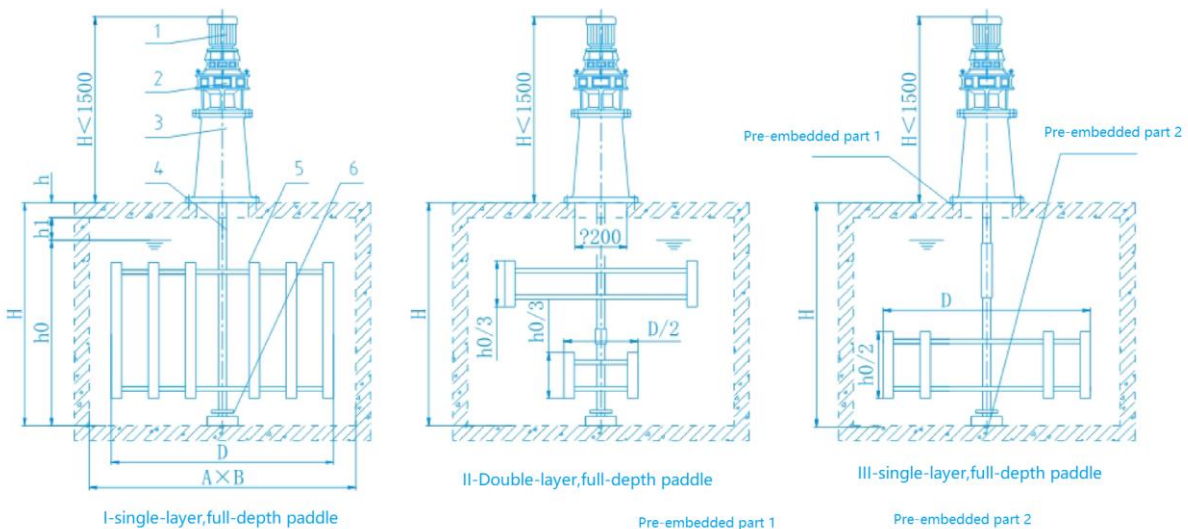
III-single-layer,full-depth paddle.

E.CO brand Frame Type Mixer

Technical parameter

Model	Pool size (m)		Mixer size (mm)			Power (kW)			Speed (r/min)		
	A*B	H	D	h ₀	h ₁	I	II	III	I	II	III
E-JBK I-1700	2.2*2.2	3.4	1700	2600	400	0.75	0.37	0.37	8	5.2	3.9
E-JBK I-2875	3.25*3.25	4	2850	3500	350	0.75	0.37	0.37	5.2	3.9	3.2
E-JBK I-3000	3.5*3.5	3.55	3000	2200	550	0.37	0.35	0.18	3.9	2.5	1.8
E-JBK I-3850	4.3*4.3	4	3850	1200	550	1.1	0.75	0.55	3.9	2.5	1.5
	4.7*4.7	3.4	3850	1400	550	1.1	0.75	0.55	3.9	2.2	2.5

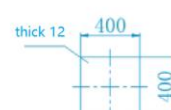
Construction/Installation mode



1. motor 2. reducer 3. Supporting base

4. Mixing shaft 5. Paddle board 6. Underwater supporting base

Material: SUS304



E-JBC Outboard Type Mixer

Features

The outboard mixer is a new mixing device that was innovated and developed by our company using submersible sealing technology. It is mainly used in mixing vessels such as big tanks and reaction kettles.

Model directions

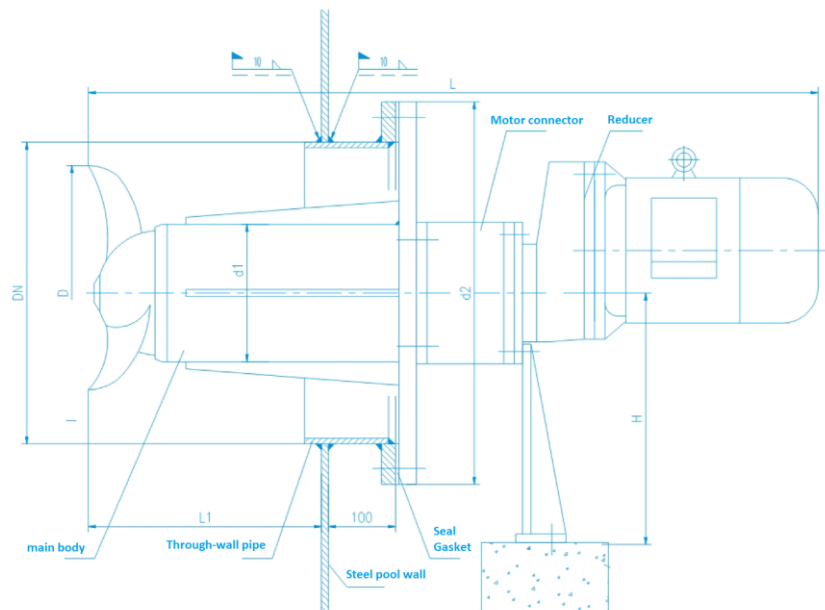


Technical parameter

Model	Impeller diameter (mm)	Power (kW)	Rated current (A)	Speed (rpm)	Protection
E-JBC 1.5	400	1.5	3.5	740	IP55, F
E-JBC 2.2	400	2.2	5	740	IP55, F
E-JBC 3	400	3	7	480	IP55, F
E-JBC 4	600	4	9.2	480	IP55, F
E-JBC 5.5	600	5.5	12.5	480	IP55, F
E-JBC 7.5	600	7.5	17	480	IP55, F
E-JBC 9.2	600	9.2	21	480	IP55, F

Construction/Installation mode

Model	d1	d2	DN	L	L1	H
E-JBC 1.5	219	540	400	1150	400	350
E-JBC 2.2	219	540	400	1180	400	350
E-JBC 3	273	540	400	1200	430	350
E-JBC 4	273	750	600	1400	550	450
E-JBC 5.5	273	750	600	1450	550	450
E-JBC 7.5	325	750	600	1600	650	450
E-JBC 9.2	325	750	600	1650	650	450



Address: Floor 1-936, Building 413, Jingzhou Garden, Tongzhou District, Beijing, China. Post Code: 101100.
www.eco-bj.com.cn, Tel: 19910389187, Email: a.z@eco-bj.com.cn, eco_bj@163.com
Chengdu Office: Room 1301, No.562 Fujin Road, Chengdu City, Sichuan Province,China. Post Code: 610041,
Tel: 13008183779, Email: info@eco-bj.com.cn
Chongqing Office: Room 28-6/7, Building 4, Wanda Plaza Commercial Building, Nan'an District, Chongqing,
China. Post Code: 400060, Tel: 023-62642067, Email: cbw@eco-bj.com.cn
Factory address: International Environmental Zone 64-01, Gaocheng town Yixitingcity Jiangsu province China
Tel: 86+19910389187, 13506151618, 0510-87882250

Business License No.: 91110112MA01WW0H96

Tax Registration No.: 91110112MA01WW0H96

Foreign Trade Registration No.: 03166084

China Customs Registration Code: 11149616VP

Inspection & Quarantine Record No.: 1100113051

Foreign Exchange Management License No.: XK2020112000000420

Senior Engineer Practice Certificate No.: ZJWXHB202001177

Grade II Registered Architect Certificate (Electrical and Mechanical) No.: 00201741

.....

